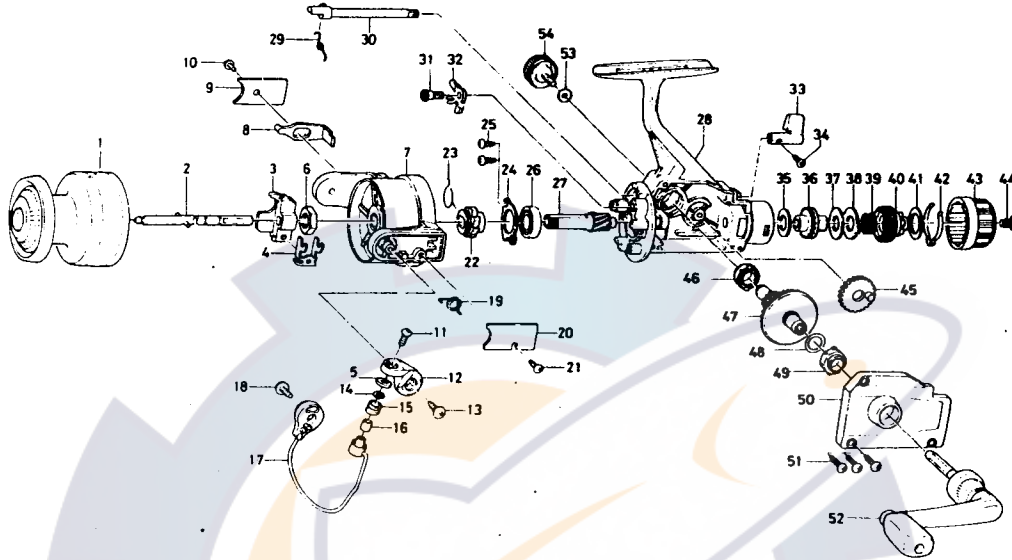


## SPINNING REEL GS1050/1350



| Key No. | Parts No. | Parts Name                  | Price Each | Key No.                     | Parts No. | Parts Name               | Price Each |
|---------|-----------|-----------------------------|------------|-----------------------------|-----------|--------------------------|------------|
| 1       | E00-3001  | Spool                       | 7.50       | 32                          | B90-3001  | Anti-reverse pawl        | 0.40       |
| 2       | B83-4501  | Main shaft                  | 1.65       | 33                          | B83-3401  | Anti-reverse lever       | 1.30       |
| 3       | B97-9601  | Oscillating slider          | 0.75       | 34                          | B12-8201  | Anti-reverse lever screw | 0.50       |
| 4       | B97-9701  | Oscillating slider retainer | 0.50       | 35                          | B48-9901  | Drag washer A            | 0.40       |
| 5       | B97-9801  | Line roller washer A        | 0.40       | 36                          | B83-3602  | Click gear               | 0.80       |
| 6       | B67-9401  | Rotor nut                   | 0.45       | 37                          | B76-0501  | Drag washer B            | 0.40       |
| 7       | B81-8402  | Rotor                       | 7.75       | 38                          | B49-0102  | Eared washer             | 0.35       |
| 8       | B83-4301  | Bail trip lever             | 0.65       | 39                          | B92-6702  | Drag coil spring         | 0.40       |
| 9       | B74-7303  | Bail trip cover             | 0.35       | 40                          | B74-7603  | Drag screw               | 0.90       |
| 10      | B83-4402  | Bail trip cover screw       | 0.35       | 41                          | B90-8201  | Drag washer C            | 0.40       |
| 11      | B67-9302  | Line roller screw           | 0.35       | 42                          | B74-7702  | Drag washer spring       | 0.40       |
| 12      | B68-1102  | Bail arm                    | 0.70       | 43                          | B82-5505  | Drag knob                | 1.35       |
| 13      | B84-2102  | Bail arm screw              | 0.40       | 44                          | 352-1105  | Drag knob spring screw   | 0.70       |
| 14      | B55-4301  | Line roller washer B        | 0.35       | 45                          | B74-2501  | Oscillating gear         | 0.70       |
| 15      | 250-3921  | Line roller                 | 0.80       | 46                          | B84-3901  | Bushing                  | 0.40       |
| 16      | B45-1501  | Line roller bushing         | 0.40       | 47                          | B83-4701  | Drive gear               | 1.50       |
| 17      | B84-1503  | Bail                        | 3.10       | 48                          | 373-7800  | Drive gear washer        | 0.35       |
| 18      | B84-2102  | Bail trip cam screw         | 0.40       | 49                          | B84-3901  | Bushing                  | 0.40       |
| 19      | B18-7702  | Bail spring                 | 0.50       | 50                          | E00-1503  | Side cover               | 6.00       |
| 20      | B45-0902  | Bail spring cover           | 0.45       | 51                          | B83-5002  | Side cover screw         | 0.40       |
| 21      | B83-4402  | Bail spring cover screw     | 0.35       | 52                          | E00-1601  | Handle                   | 5.90       |
| 22      | B61-8001  | Anti-reverse ratchet        | 1.30       | 53                          | B92-4901  | Handle lock washer       | 0.40       |
| 23      | 145-0501  | Anti-reverse pawl spring    | 0.50       | 54                          | C00-1801  | Handle lock screw        | 0.75       |
| 24      | B45-6401  | Bearing retainer            | 0.35       |                             |           |                          |            |
| 25      | B83-4402  | Bearing retainer screw      | 0.35       |                             |           |                          |            |
| 26      | 637-5701  | Bearing bearing             | 5.20       | <b>GS1350 Special Parts</b> |           |                          |            |
| 27      | B83-3501  | Pinion gear                 | 3.30       | 1                           | E00-3101  | Spool                    | 7.50       |
| 28      | E00-1403  | Body                        | 12.85      | 7                           | B81-8602  | Rotor                    | 7.75       |
| 29      | B44-8501  | Anti-reverse cam spring     | 0.40       | 8                           | B83-5701  | Bail trip lever          | 0.65       |
| 30      | B44-8401  | Anti-reverse cam            | 0.70       | 17                          | B84-1803  | Bail                     | 3.10       |
| 31      | B61-8101  | Anti-reverse pawl screw     | 0.95       | 28                          | E00-1404  | Body                     | 12.85      |
|         |           |                             |            | 50                          | E00-1504  | Side cover               | 6.00       |